

PDC-190

19" Medical Display with IP65 Front Panel

NEW

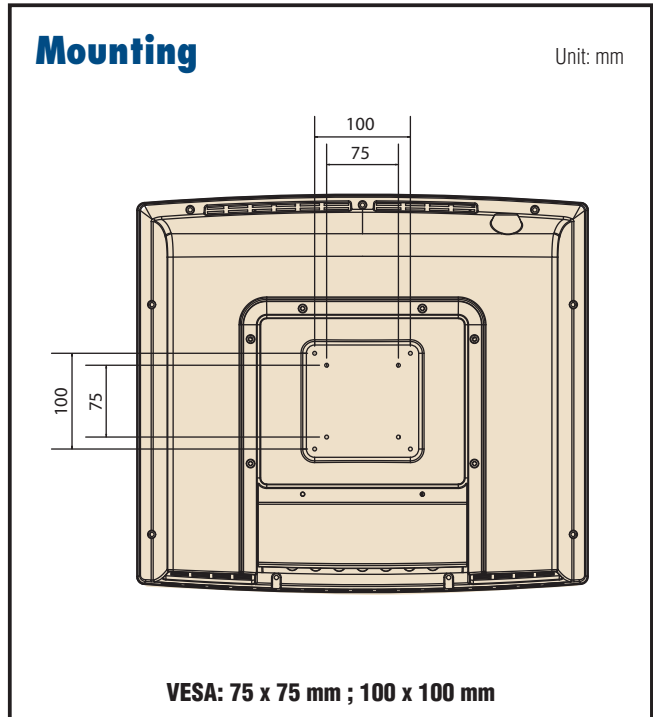
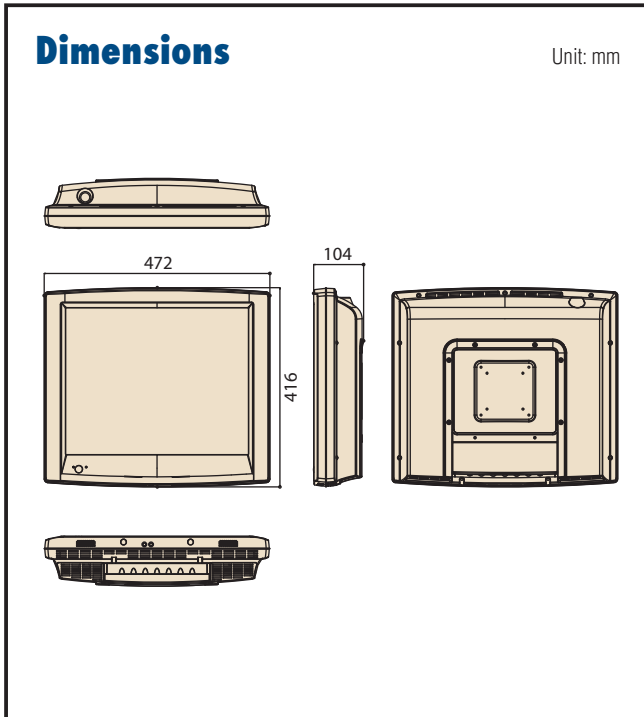


Features

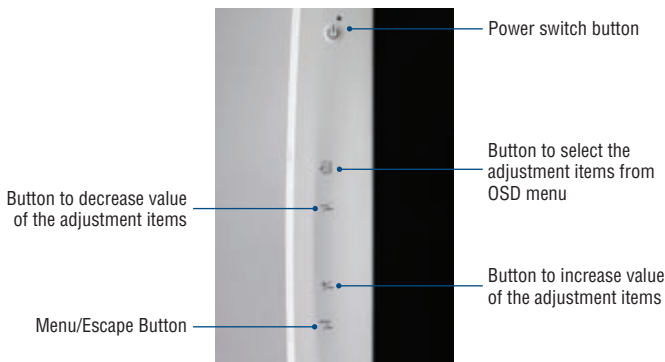
- 19" MVA type LCD display with wide viewing angle (170°/170°)
- HD Ready-Compatible to High Definition Video (1280 x 720, 50/60Hz Progressive)
- DICOM preset function
- IPX1 water resistant enclosure with additional IP65 dust-tight front panel
- High brightness and contrast ratio
- USB 2.0 hub function
- UL60601-1/EN60601-1, CE & FCC Class B certified

Specifications

Display	Display type	19" MVA type TFT LCD	
	Max. Resolution	1280 x 1024	
	Max. Colors	16.7M	
	Dot size (mm)	0.294 x 0.294	
	Viewing angle	170°/170°	
	Luminance	600 cd/m ² (DICOM preset at 400 cd/m ²)	
	Contrast ratio	1000 : 1	
	LCD MTBF	50,000 hours	
	Backlight lifetime	50,000 hours	
I/O Ports		PDC-190S	PDC-190
	Video Input Port		
	Composite	BNC x1	-
	S-Video	mini DIN-4 x1	-
	YPbPr/RGB	BNC x3	-
	Ext SYNC	BNC x1	-
	HD/SD-SDI	BNC x1	-
	DVI	DVI-I x1	DVI-D x1
	VGA*	Through DVI-I to HD15 adapter	HD-15 x1
	Video output port (Loop through)		
	Composite	BNC x1	-
	S-Video	mini DIN-4 x1	-
	HD/SD-SDI	BNC x1	-
	Audio/ USB hub/Power		
	Line-in	phone jack x1	phone jack x1
	USB downstream	type A x2	type A x2
	USB upstream	type B x1	type B x1
DC power connector	DIN-4 x1	DIN-4 x1	
RS-232C communication Port			
OSD remote control	DB9 x1	-	
Speakers	1 W speakers x 2		
Power Supply		Universal AC/DC adapter (SINPRO model no. MPU100-105)	
	Input voltage	100 ~ 240 V _{AC} , 47 ~ 63 Hz	
	Output voltage	+12 V _{DC} , 8A max. (100 watts)	
Optional Touchscreen	Type	Analog Resistive	
	Light transmission	75%	
	Controller	USB interface	
	Durability	30 million touches	
Environment	Temperature	0 ~ 40 °C (Operating)	
	Humidity	10 ~ 95% @ 40 °C (non-condensing)	
	Vibration /Shock Resistance	5 ~ 500 Hz, 1G acceleration/30G half sine, 11 msec duration	
	Water/Dust Resistance	IPX1 for whole system	
Physical Characteristics	Dimensions (W x H x D)	472 x 416 x 104 mm (18.56" x 16.38" x 4.13")	
	Weight	6.5 kg (14.32 lb)	



PDC-190



Ordering Information

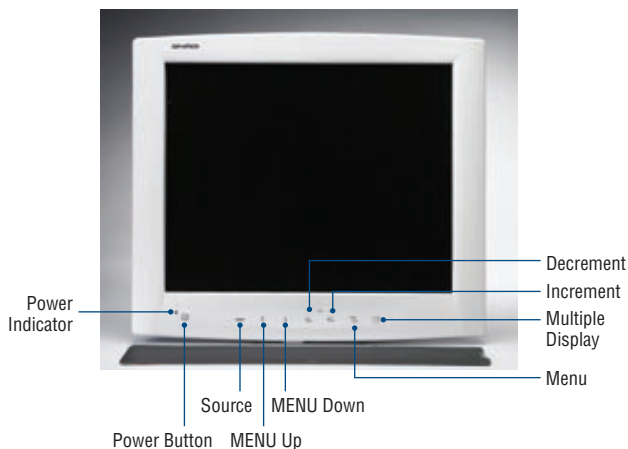
Part Number	Touch Panel	AR Glass	SD/HD Video input
PDC-190E	-	Yes	-
PDC-190-TE	RES.TS	-	-
PDC-190SE	-	Yes	Yes
PDC-190S-TE	RES.TS	-	Yes

Accessories

Part Number	Description
PDC-190-STAND	Stand for PDC-190 Medical Display
*	Trim Knob for PDC-190 via USB

* This accessory goes with the T Part Number. Please contact Advantech sales for more details.

PDC-190S



Packing List

Description	Quantity
AC 100W SPS MPU100-105 W/PFC 100-240	1
Audio Cable, 1.5M	1
DVI-D Cable, 2M	1
USB Cable, 1.8M	1
D-Sub VGA cable, 1.8M	1
Advantech 2-year warranty card	1
CD-ROM for PDC-190 series Driver & Utility	1
Start up manual	1
China RoHs report	1
User manual for PDC-190, 1st Ed	1

* Please note power cord is NOT included in the packing list.