

## Conception®-jX-v4.1-U100

Compact and fanless high performance embedded PC with Intel® Core™ Ultra CPUs

### Features

- High-Performance with Intel® Core™ Ultra CPUs
- Passive cooling for flexible and quiet use
- Ultra-compact design
- USB-C & 3x 2.5 GBit LAN for high-speed data transfer
- Optional Wi-Fi/Bluetooth, GNSS/LTE

### Configuration example

Further configurations on request!

#### Mainboard:

Industrial Mainboard (mini-ITX), 24/7 operation, long-term available

#### Processor:

Intel® Core™ Ultra, 100 series

#### Graphic:

Onboard Intel® Iris® Xe (depends on CPU)

#### Memory:

2x DDR5 S0-DIMM, max. 64 GB

#### Drive Bays:

1x M.2 (M-key, type: 2280)

#### I/O:

3x 2.5 GBit LAN (RJ45)  
4x USB 3.2  
2x USB-C 3.2  
2x USB 2.0  
2x RS-232/422/485  
1x DisplayPort 1.4a, DP++  
1x HDMI 2.0a  
3x Audio (Line-In, Line-Out, Mic)  
1x Digital I/O (optional)

#### Features:

Watchdog Timer, iAMT 18.0, fTPM

#### Power Supply:

12 ~ 24 VDC, 120 Watt  
Phoenix socket

#### Optional

ext. power supply 100 ~ 264 VAC  
ext. DIN rail power supply 100 ~ 240 VAC, 120 Watt

#### Expansions:

1x M.2 (E-key, type: 2230)  
1x M.2 (B-key, type: 3052)  
1x SIM slot

#### Communication:

Wi-Fi/Bluetooth (optional)  
Intel® M.2 Module, 802.11ax Dual Band, Bluetooth® 5.1  
GNSS/LTE (optional)  
Support for GPS, GLONASS, BeiDou, Galileo, QZSS  
SIM slot for 3G/4G/5G

#### Mechanical:

##### Chassis

1 mm sheet steel, powder coated  
Heat sink extruded aluminum profile

##### Dimensions (W x H x D)

200 x 103 x 200 mm

##### Cooling

Passive

#### Environment:

##### Operating Temperature

0° ~ 50° C

##### Storage Temperature

-20° ~ 70° C

##### Relative Humidity (operation)

10 ~ 90 % (non condensing)

##### IP Protection

IP20

#### Operating System:

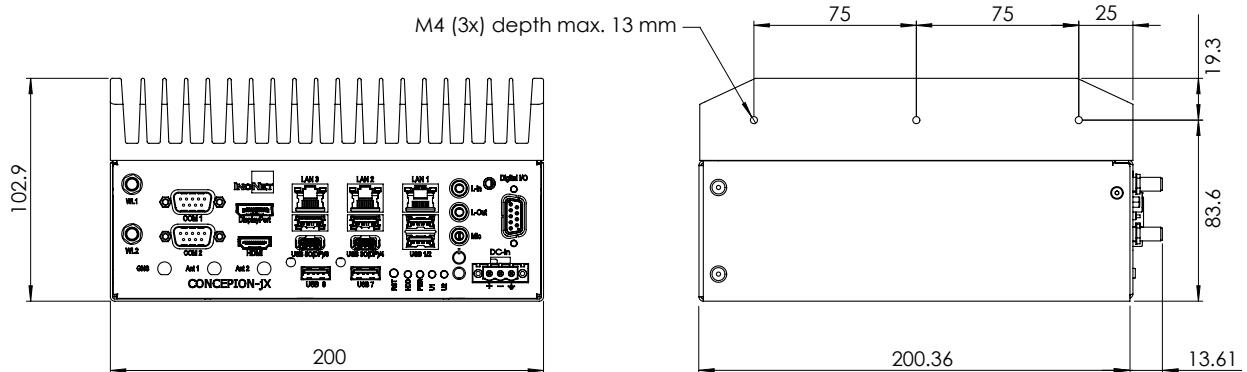
Microsoft® Windows® 10/11, Linux®



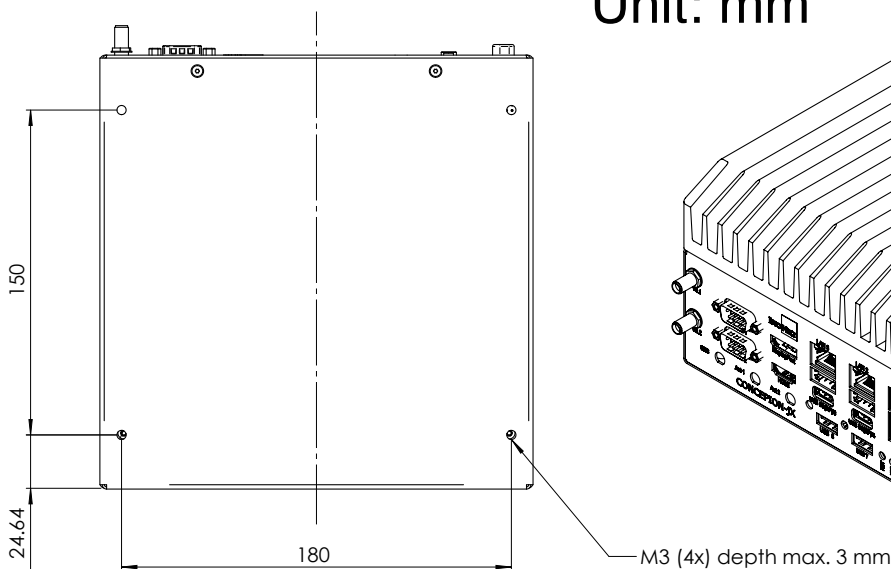
# Conception®-jX-v4.1-U100

## Additional illustrations

Technical drawing



Unit: mm



### InoNet Competences and Services



Consulting



Development



Testing



Customization



Manufacturing



Certifications

InoNet Computer GmbH  
Wettersteinstraße 18  
82024 Taufkirchen, Germany  
[www.inonet.com](http://www.inonet.com)